



PowerFlo® II

Small pump for outstanding results!

- Pump designed **for small pools** and/or above ground pools
- **Exceptional performance**, one of the best in its category
- 1.1 Litre **pre-filter** basket
- Recommended for pools **up to 80 m³**



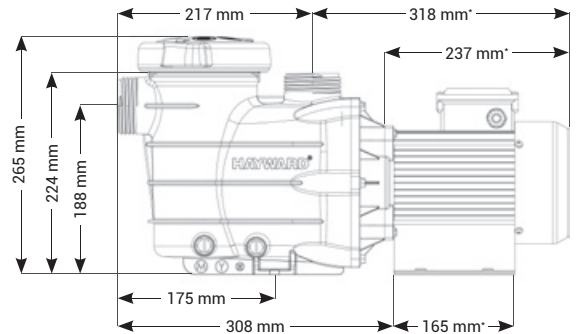
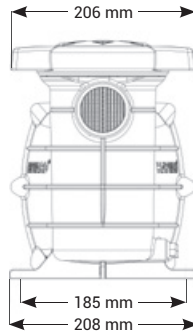
Easy access to the pre-filter through the quarter turn cover



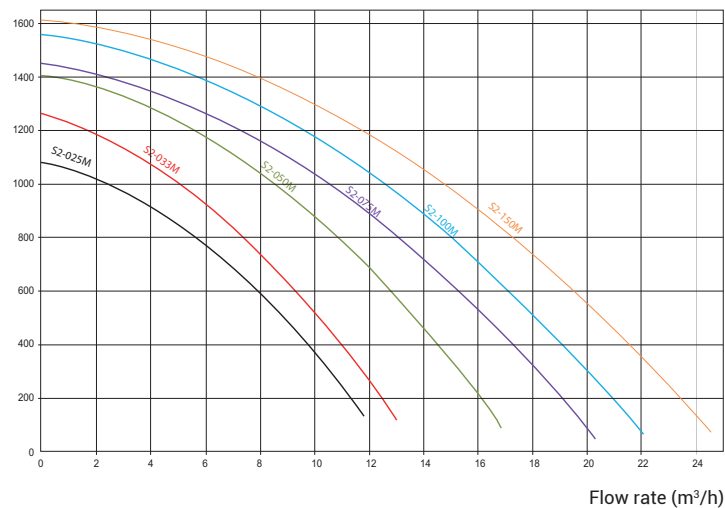
Drainage caps to make wintering easier



50 mm outlet or ø 32/38 mm fluted adapters



Pressure (mbar)



POWERFLO® II

Type	Length	Weight	I/O	Flow rate**	Puissance Absorbée P1	Puissance Restituée P2	Amperage	Item.
0,25 CV	504 mm	7,68 kg	50 o 32/38 mm	5.4 m³/h	440 W	300 W	1,92 A	SP8102XE31
0,33 CV	504 mm	7,76 kg	50 o 32/38 mm	7,3 m³/h	530 W	320 W	2,32 A	SP8103XE61
0,5 CV	504 mm	8,65 kg	50 o 32/38 mm	10,8 m³/h	810 W	560 W	3,51 A	SP8105XE81
3/4 CV	504 mm	9,16 kg	50 o 32/38 mm	13 m³/h	860 W	610 W	3,76 A	SP8107XE111
1 CV	504 mm	9,16 kg	50 o 32/38 mm	15 m³/h	1000 W	730 W	4,36 A	SP8110XE161
1,5 CV*	535 mm	11,3 kg	50 o 32/38 mm	17,2 m³/h	1200 W	900 W	5,32 A	SP8115XE221

**under 8 m water column pressure