

NART

ACCESS >>



POOL AND SEA
ACCESS SYSTEMS
SOLUTIONS
NARTACCESS

NART ELEVATED POOL LIFT

Nart Access Elevated Pool Lift is the safest and most reliable transfer equipment for people with mobility issues to access pools.

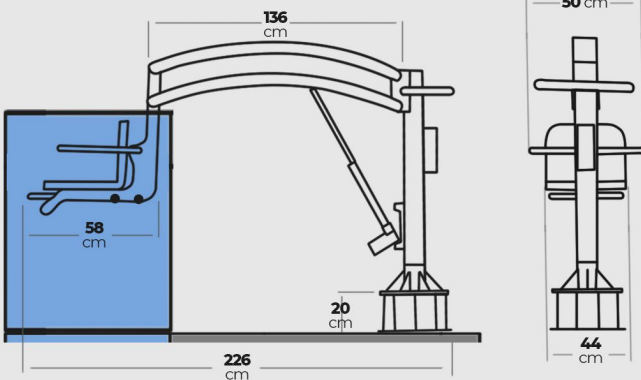
It is especially important for those who have some form of movement restriction to be able to safely access the pools during their hydrotherapy recovery.

Nart Access Elevated Pool lift is the most beneficial equipment for rehabilitation centers and physical therapists.

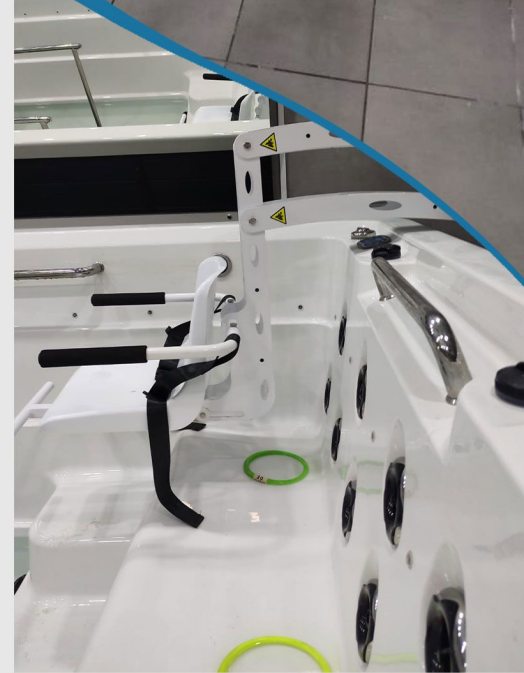
It is completely made of 304 quality stainless steel. It is painted with electrostatic powder paint.

The equipments which assists disabled people belong to medical devices class. All the products Nart Access produced are registered in the system of Turkish Republic Ministry of Health (UTS NO: 8683571609200) and called medical devices.

All our products comply with EU standards.



NART
Access >>





WHERE TO USE

- Hydrotherapy pools for disabled people
- Heal tourism hotels for disabled and elderly
- Water sports and swimming pools for disabled
- Aged care centers, resorts.
- Clinical hotel rehabilitation centers
- Spa facilities
- Sport federations
- Public pool facilities
- Private pools and all indoor and outdoor pools in hotes.

TECHNICAL SPECS AND ADVANTAGES

- 150 kg carrying capacity
- Weight is 110 kg
- All stainless steel construction
- Water erosion, High temperature etc.
Resistant to corrosion
- Wear and corrosion resistant electrostatic plastic oven paint is used.
- External charge unit
- Urgent stop system
- Safety belt and adjustable footrest
- Waterproof hand control (IP 66 standard)
- It has 2 different port , top and bottom.
So, it can be used many kind of pools by changing the port of the actuator.
- It can go up to 140 cm.
- Conformity of EU
- CE Certificated
- ISO 9001 Certificated
- Can be assembled and installed easily.
- Safe transfer with its fixable feature.
- Suitable for indoor and outdoor usage.
- 2 years warranty of stainless.