

NART

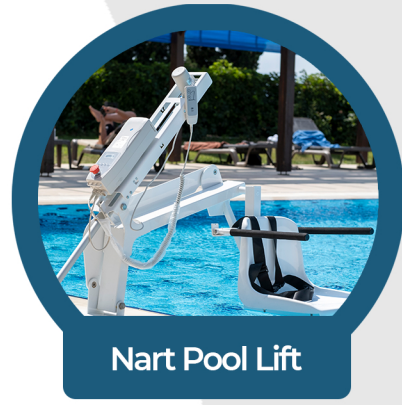
ACCESS >>



POOL AND SEA
ACCESS SYSTEMS
SOLUTIONS
NARTACCESS

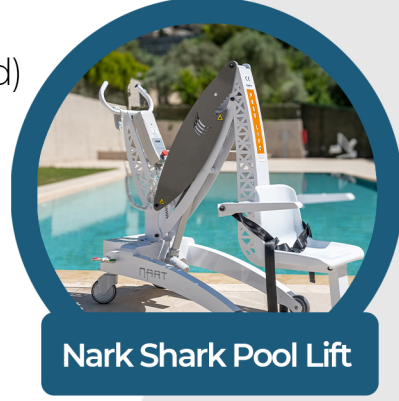
INDEX

Page 3-4 **Nart Pool Lift**
(Floor Fixed Pool Lift)



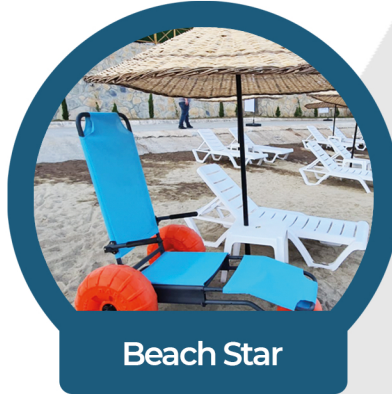
Nart Pool Lift

Page 5-6 **Nart Shark Pool Lift**
(Free Moving Pool Lift)



Nart Shark Pool Lift

Page 7-8 **Beach Star**
(Movable Wheelchair on the sand)



Beach Star

Page 9-10 **Nart Elevated Pool Lift**
(Elevating Pool Lift)



Nart Elevated

Page 11-12 **Nart Aquaease**
(Pool Lift)



2 Years
Warranty Support



CE Certified
Production



Carrying
Capacity



Conforms to
ISO 9001 Standard



Safe with
Seat Belt



Manufacturing from
304 Steel Material



Turkish Made
Domestic Production

ABOUT US

NartAccess was founded in Manisa in 2013 by Yavuz EREN to provide mobility and accessibility solutions to individuals with physical mobility restrictions.

NartAccess operates with a philosophy of independence and hope by providing solutions to those who have difficulty in climbing stairs, in-building or in-room access, access to pools, sea, treatment or socialising, and those who accompany them.

Since 2016, Nart Access, which started production with the realisation of R&D activities, meticulously manages independent access. Turkey's first and only manufacturer of cordless pool lifts, the company realises these solutions that make life easier with the support of a professional technical team. It is the first and only manufacturer of the necessary equipment for barrier-free pools and beaches in Turkey. After fixed and portable pool lifts, it has produced Beachstar Beach Wheelchair for people with reduced mobility.

NartAccess; MTO, KOSGEB, OAIB
(Central Anatolian Exporters' Associations)
TÜRÇEV (BLUE FLAG) Turkey Medical
Tourism Association CBI is an official
member and is within the scope of
R&D and Product
Development Programme with
the support of TEKNOKENT.



NART POOL LIFT

(NART100)

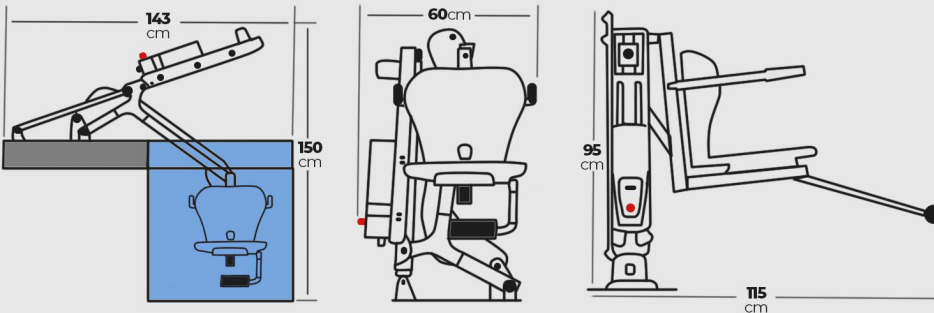
Nart Pool Lift which provides disabled and elderly people to access pools is the safest transfer equipment for hydrotherapy pools, hotel and thermal centers, public pools and sports centers.

It is too important for people who have some kind of movement limitations to access the pools safely, during the hydrotherapy healing. Nart Pool Lift which provides the transfer of disabled and elderly people to the pool is the biggest helpful equipment of rehabilitation centers and physiotherapists.

It is completely made of 304 quality stainless steel. It is painted with electrostatic powder paint.

The equipments which assists disabled people belong to medical devices class. All the products Nart Access produced are registered in the system of Turkish Republic Ministry of Health (UTS NO: 8683581609200) and called medical devices.

All our products are patented by the Turkish Patent Institute and comply with EU standards.



NART
Access >>





WHERE TO USE?

- Hydrotherapy pools for disabled people
- Health tourism hotels for disabled and alderly
- Water sports and swimming pools for disabled
- Aged care centers, resorts
- Clinical hotel rehabilitation centers
- Spa facilities
- Sports federations
- Public pool facilities
- Private pools and all indoor and outdoor pools in hotels.

TECHNICAL SPECS

- 150 kg carrying capacity
- All stainless steel construction
- Resistance to corrosion due to water abrasion, high temperature etc.
- Resistance paint to abrasion and corrosion
- External charge unit,
- Urgent rescue system
- Foldable armrests
- Urgent stop system
- Safety belt
- Conformity of EU
- CE certificated
- ISO 9001 certificated

ADVANTAGES

- Can be assembled and installed easily
- Safe transfer with its fixable feature
- Advantage of technical service & spare parts
- Continious stock due to the manufacturer
- Suitable for indoor and outdoor usage
- 2 years warranty of stainlessness
- Optional equipments (footrest, safety belt etc.)
- Our products have all conformity, quality and formal certificates and are patened.

NART SHARK POOL LIFT

(NART1000)

Nart Free Lift is a rechargeable device that is designed for transfer disabled people safely from their wheelchairs to the poolside and into the pool. Thus, some possible accidents can be prevented caused by the wet area at the poolside.

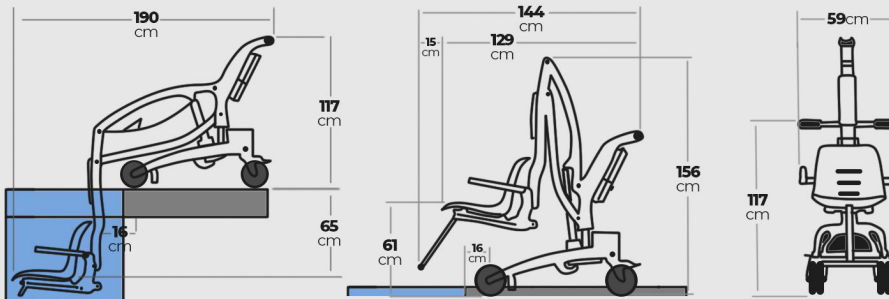
The up and down movements which can not be provided by human power are provided by electromechanical systems. Movements like further-back, left-right are provided by the person who assist the user.

The device is completely made of aluminum material and painted by electrostatical powder paint.

It is completely made of 304 quality stainless steel.
It is painted with electrostatical powder paint.

The equipments which assists disabled people belong to medical devices class. All the products Nart Access produced are registered in the system of Turkish Republic Ministry of Health (UTS NO: 8683581609224) and called medical devices.

All our products comply with EU standards.



NART
Access >>>





WHERE TO USE

- Hydrotherapy pools for disabled people
- Health tourism hotels for disabled and alderly
- Water sports and swimming pools for disabled
- Aged care centers, resorts
- Clinical hotel rehabilitation centers
- Spa facilities
- Sports federations
- Public pool facilities
- Private pools and all indoor and outdoor pools in h

TECHNICAL SPECS AND ADVANTAGES

- Urgent case button
- Water resistant remote control
- It can be also commanded from power unit
- It has a battery charge indicator
- Medical wheels comply with wet surfaces
- 1250 mm stroke length
- Adjustable seat mechanism
Due to this, it can be adjusted in and above the water at 100 mm plus and minus how the users prefer.
- Behind the front wheels are emergency stoppers with vacuum feature
- Brake mechanism on the rear wheels
- Can be recharged with 220V
- The device works with a battery it works safely on wet surfaces due to its low voltage specification
- 150 kg carryin capacity.
- Weight is 200 kg
- Suitable seat for wet usage.
- Body is ST-52 steel
- Completely made of 304 stainless steel.
- Descent time into the pool is 45 seconds.
- Exit time from the pool is 55 seconds.
- It is a locally produced device.

BEACH STAR

(NART 500)

Beach Star beach wheelchair is a great solution partner for people with movement limitations to move comfortably on beaches, sand, gravelly surface and swim in the sea.

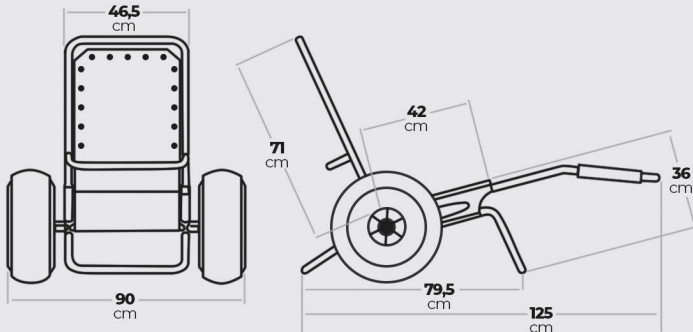
Beach Star beach wheelchair makes your holiday pleasant and safe with its magnificent creation. Beach Star beach wheelchair which provides disabled and elderly people to transfer on beaches, gravelly surfaces and sea can be assembled or disassembled in a few minutes without any help of other equipment.

Beach Star beach wheelchair provides you to use a freedom for years with safe. It is too light with its anti-corrosion chassis and is resistant to pool and sea water. It complies with the directive of EN12182 CE.

The device is completely made of aluminum material and painted by electrostatic powder paint.

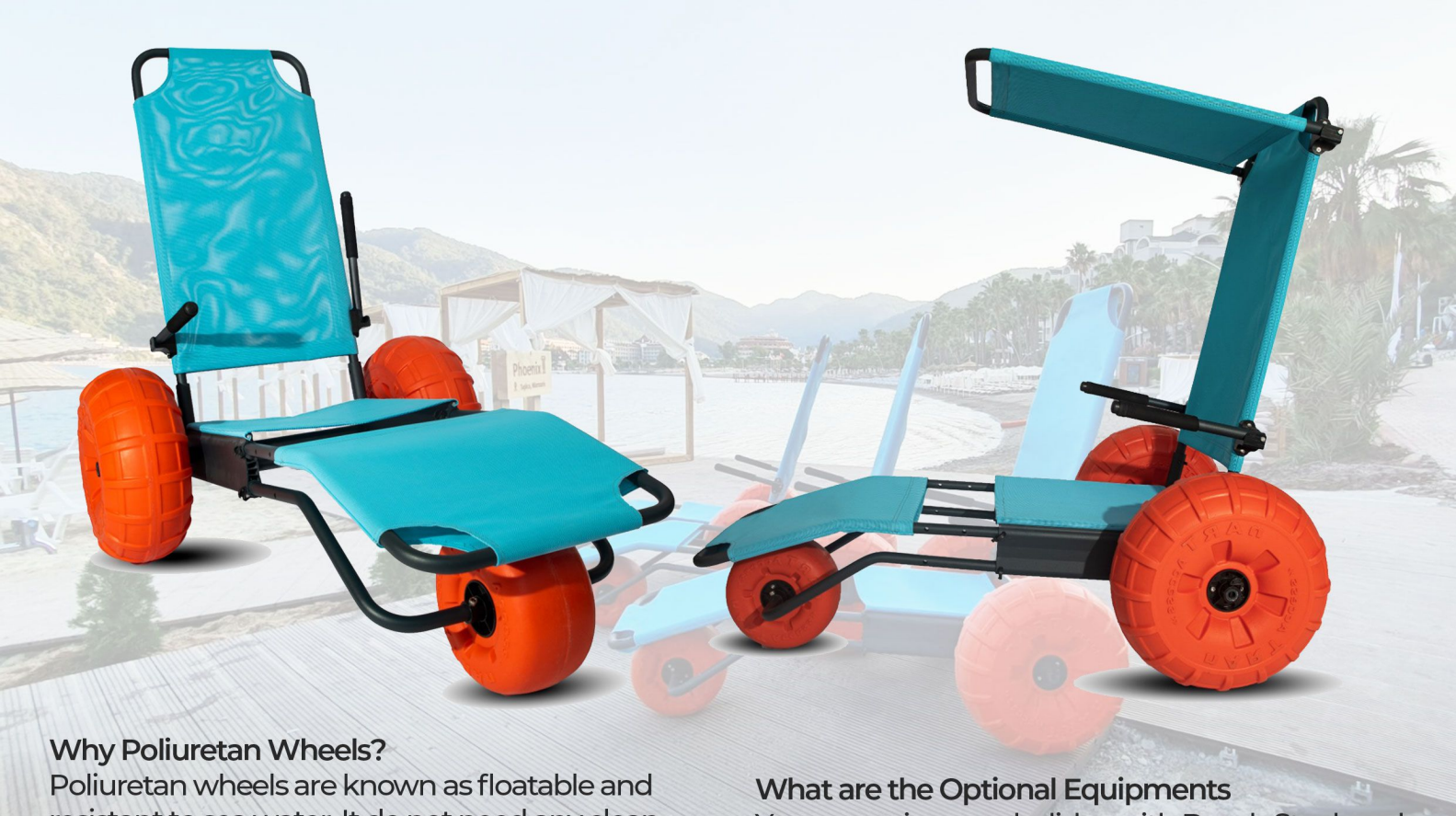
The equipments which assist disabled people belong to medical devices class. All the products Nart Access produced are registered in the system of Turkish Republic Ministry of Health (UTS NO: 8683581609217) and called medical devices.

All our products are patented by the Turkish Patent Institute and comply with EU standards



NART
Access >>





Why Poliuretano Wheels?

Poliuretano wheels are known as floatable and resistant to sea water. It do not need any clean and care if it is exposed to sea water. It never bursts on gravelly surfaces or by cutting agents.

Why Anti-Corrosion Aluminum Chassis

Anti-corrosion aluminum chassis has a guarantee of stainlessness against salt water. Due to this, it does not need any extra effort for care.

What are the Optional Equipments

You can enjoy your holiday with Beach Star beach wheelchair. You can add optional equipments for the safe and comfort of user and companion as you prefer.

Armrests, sun canopy, carrying bag and 3rd wheel kit are additional equipments which you can add to the main product as you prefer.

TECHNICAL SPECS

- Length of chassis: 1050 mm
- Height of seat from the ground: 340 mm
- Gross weight: 9 kg chassis + 4 kg wheels
- Max. carrying capacity: 120 kg
- Weidth of seat: 460 mm
- Depth of seat: 390 mm
- Weidth of seat backrest: 480 mm
- Height of seat backrest: 850 mm
- Adjustable footrest
- 2 years of warranty
- EN12182 CE Directive.

ADVANTAGES

- Foldable and removable chassis
- Anti-corrosion stainlessness specification
- Aluminum chassis
- Easy transfer with removable wheels
- Poliuretano wheels with non-burst and able to move on sand
- Quick dry fabric with anti-bacterial specification
- Footrest which can be adjustable according to the user's height
- Advantage of armrest, sun canopy, carrying bag and 3rd wheel kit options
- Advantage of armrest, sun canopy, carrying bag and 3rd wheel kit options

NART ELEVATED POOL LIFT

(NART1001)

Nart Access Elevated Pool Lift is the safest and most reliable transfer equipment for people with mobility issues to access pools.

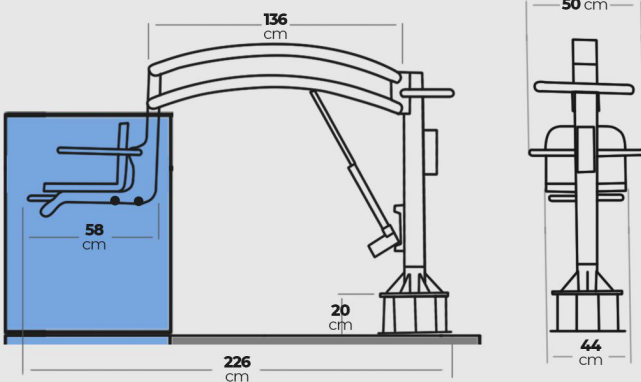
It is especially important for those who have some form of movement restriction to be able to safely access the pools during their hydrotherapy recovery.

Nart Access Elevated Pool lift is the most beneficial equipment for rehabilitation centers and physical therapists.

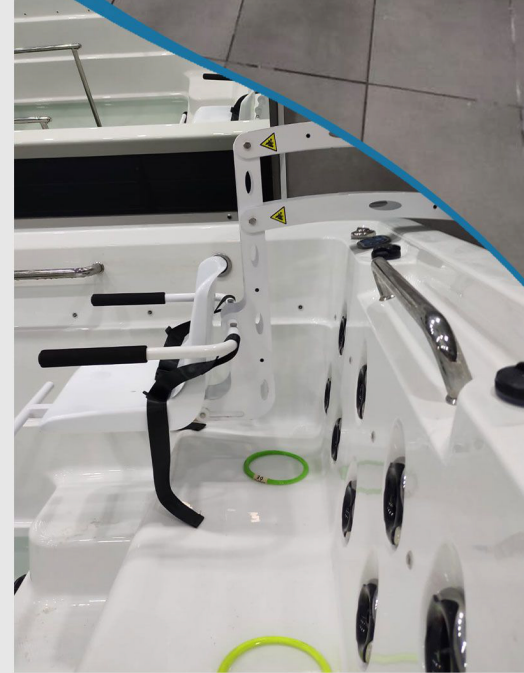
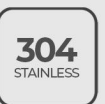
It is completely made of 304 quality stainless steel. It is painted with electrostatic powder paint.

The equipments which assists disabled people belong to medical devices class. All the products Nart Access produced are registered in the system of Turkish Republic Ministry of Health (UTS NO: 8683571609200) and called medical devices.

All our products comply with EU standards.



NART
Access >>





WHERE TO USE

- Hydrotherapy pools for disabled people
- Heal tourism hotels for disabled and elderly
- Water sports and swimming pools for disabled
- Aged care centers, resorts.
- Clinical hotel rehabilitation centers
- Spa facilities
- Sport federations
- Public pool facilities
- Private pools and all indoor and outdoor pools in hotes.

TECHNICAL SPECS AND ADVANTAGES

- 150 kg carrying capacity
- Weight is 110 kg
- All stainless steel construction
- Water erosion, High temperature etc.
Resistant to corrosion
- Wear and corrosion resistant electrostatic plastic oven paint is used.
- External charge unit
- Urgent stop system
- Safety belt and adjustable footrest
- Waterproof hand control (IP 66 standard)
- It has 2 different port , top and bottom.
So, it can be used many kind of pools by changing the port of the actuator.
- It can go up to 140 cm.
- Conformity of EU
- CE Certificated
- ISO 9001 Certificated
- Can be assembled and installed easily.
- Safe transfer with its fixable feature.
- Suitable for indoor and outdoor usage.
- 2 years warranty of stainless.

NART AQUAEASE

POOL LIFT

(NART 1002)

Nart Aquaease is a reliable and user-friendly pool lift designed to provide safe and comfortable access to swimming pools for people with limited mobility. Combining robust construction with elegant design, it is an ideal accessibility solution for both private and public pool facilities.

With a lifting capacity of up to 150 kg, Nart Aquaease ensures safe operation for a wide range of users. It is suitable for pools with wall heights up to 60 cm, offering flexible installation options. The 360° manual rotation feature allows smooth and precise positioning, ensuring effortless pool entry and exit.

**It is completely made of 304 quality stainless steel.
It is painted with electrostatic powder paint.**

Its fully stainless steel structure, enhanced with a durable powder-coated finish, provides excellent resistance to corrosion and outdoor conditions, ensuring long-lasting performance. The lift operates with a rechargeable battery system and an external charger, allowing independent use without the need for a permanent electrical connection.

Backed by a two-year structural warranty, Nart Aquaease reflects Nart Access's commitment to quality, safety, and inclusive design—making it a dependable choice for facilities aiming to enhance pool accessibility.



NART
Access >>





WHERE TO USE

- Hydrotherapy pools for disabled people
- Health tourism hotels for disabled and alderly
- Water sports and swimming pools for disabled
- Aged care centers, resorts
- Clinical hotel rehabilitation centers
- Spa facilities
- Sports federations
- Public pool facilities
- Private pools and all indoor and outdoor pools in hotels

TECHNICAL SPECS AND ADVANTAGES

- 150 kg load capacity
- Suitable for pools with wall heights up to 60 cm
- 360° manual rotation feature
- Made entirely of stainless steel
- Durable powder-coated finish
- Rechargeable battery with external charging unit
- 2-year comprehensive product warranty
- 150 kg lifting capacity
- Equipped with a seat suitable for wet use
- Entire product is made of 304 stainless steel
- It is a locally produced device.

NART

Access >>



Muradiye Mh. 10(OSB) Sk. C6 Blok
No: 9/6A Yunusemre / MANİSA

+90 236 231 77 11

+90 532 570 52 24 +90 532 549 31 45

+90 539 576 80 05 info@nartaccess.com

WWW.NARTACCESS.COM